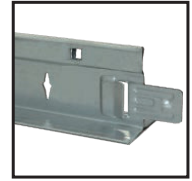
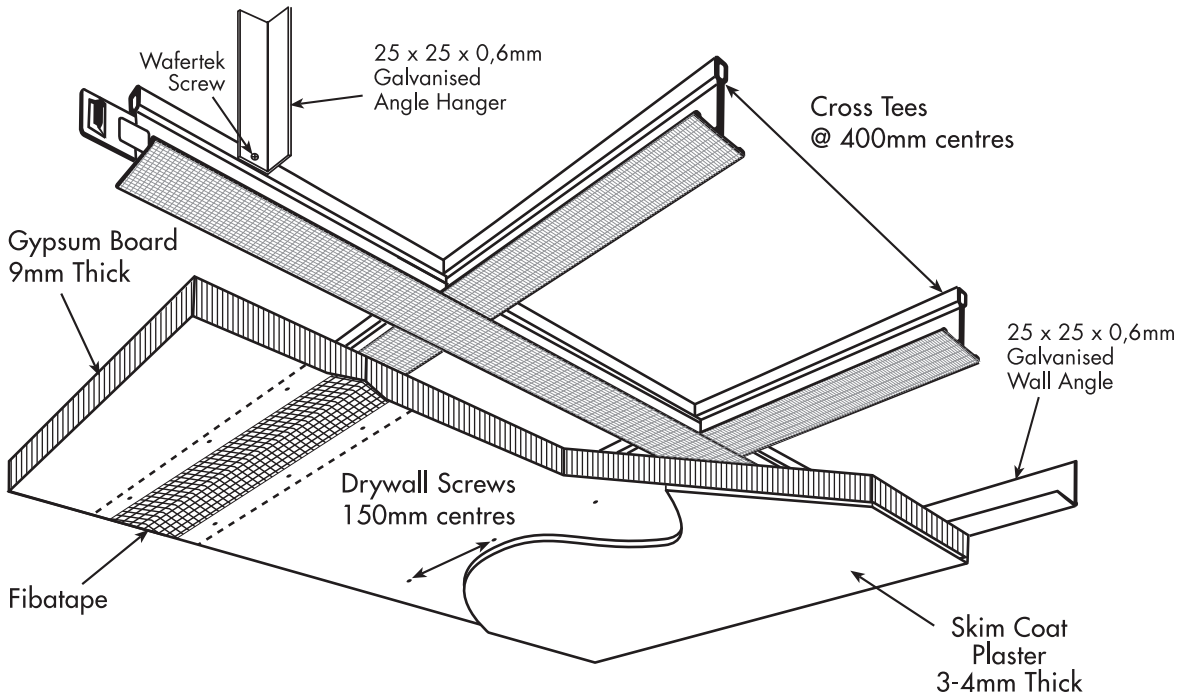


# CAPCO

CEILING AND PARTITION COMPONENTS

## ARROW T38/35G PLASTERBOARD COVERED TEE GRID



MAIN RUNNER CLIP

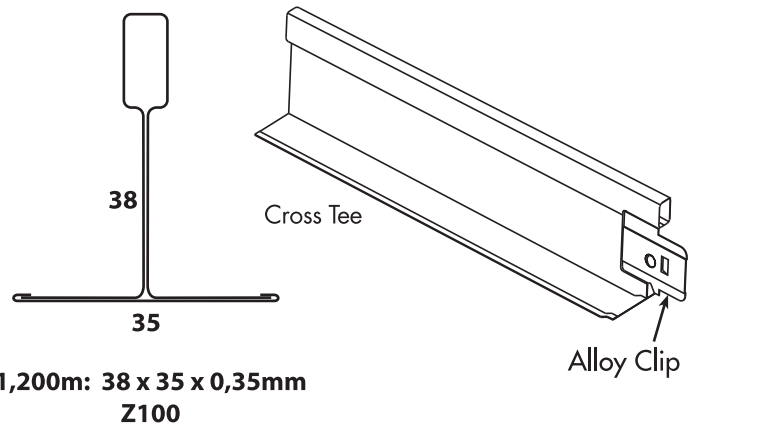
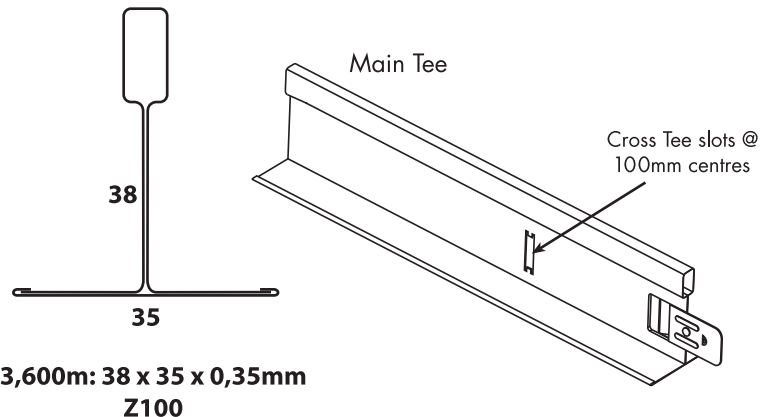


CROSS TEE ALLOY CLIP

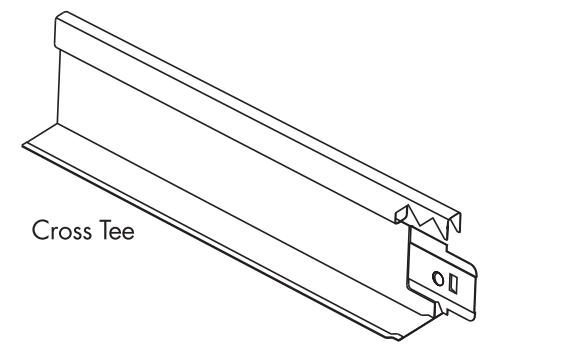
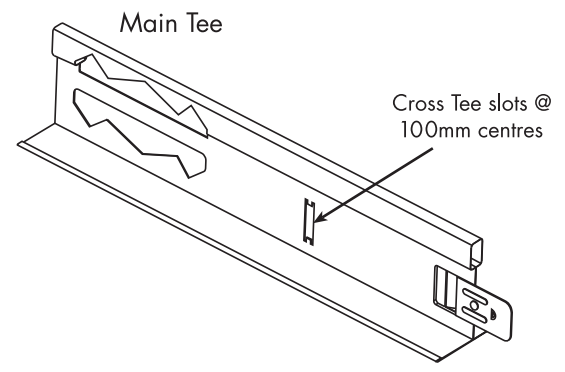
**Load Capacity**  
22.3 kg / m<sup>2</sup>

### Features and Specifications

Main Tees are punched at 100mm centres for Cross Tees.



### Fire rated



ITEM	SPECIFICATION	LENGTH	Q'Y PER BOX
MAIN TEE	38MM(H)X35MM(W)	3.6M	20
CROSS TEE	38MM(H)X35MM(W)	1.2m	60