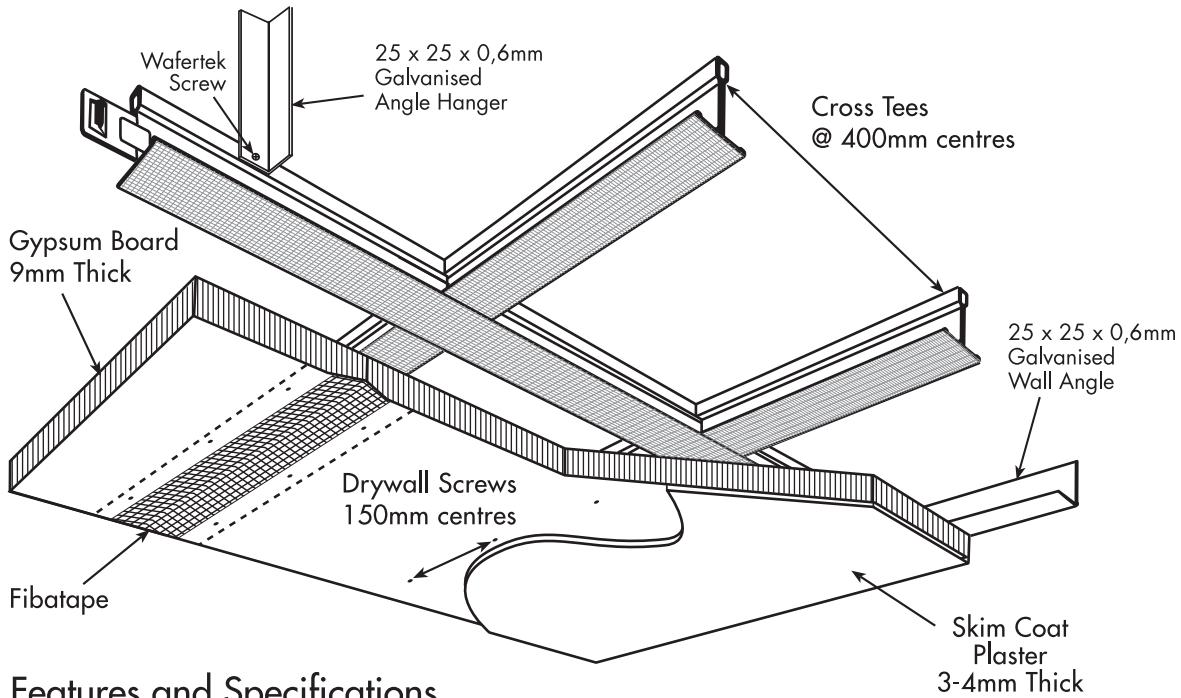


# CAPCO

CEILING AND PARTITION COMPONENTS

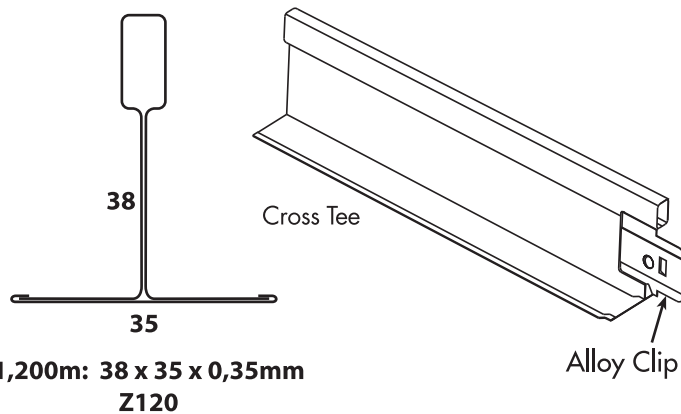
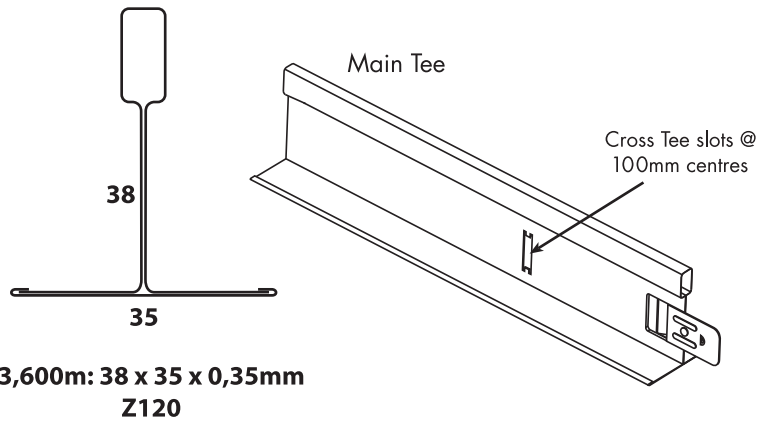
## DELTA T38/35G FIRE RATED PLASTERBOARD COVERED TEE GRID



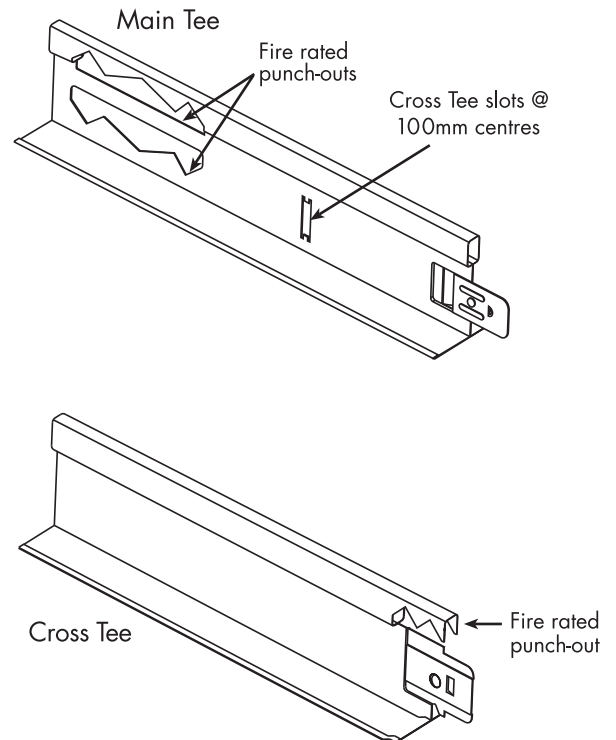
**Load Capacity**  
22.3 kg / m<sup>2</sup>

### Features and Specifications

Main Tees are punched at 100mm centres for Cross Tees.



### Fire rated



ITEM	SPECIFICATION	LENGTH	Q'Y PER BOX	PRODUCT MASS
MAIN TEE	38MM(H)X35MM(W)	3.6M	20	0.365 KG/M
CROSS TEE	38MM(H)X35MM(W)	1.2M	60	0.375 KG/M
GALV ANGLE	25MMX25MMX0.6MM	3.6M	50	0.228 KG/M
9MM PLASTERBOARD	(W) 2,400M/2,800M/3,200M/3,600M	1.2M	N/A	7.40 KG/M <sup>2</sup>